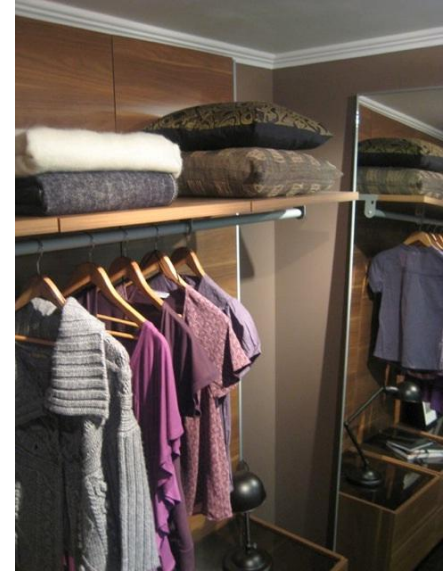
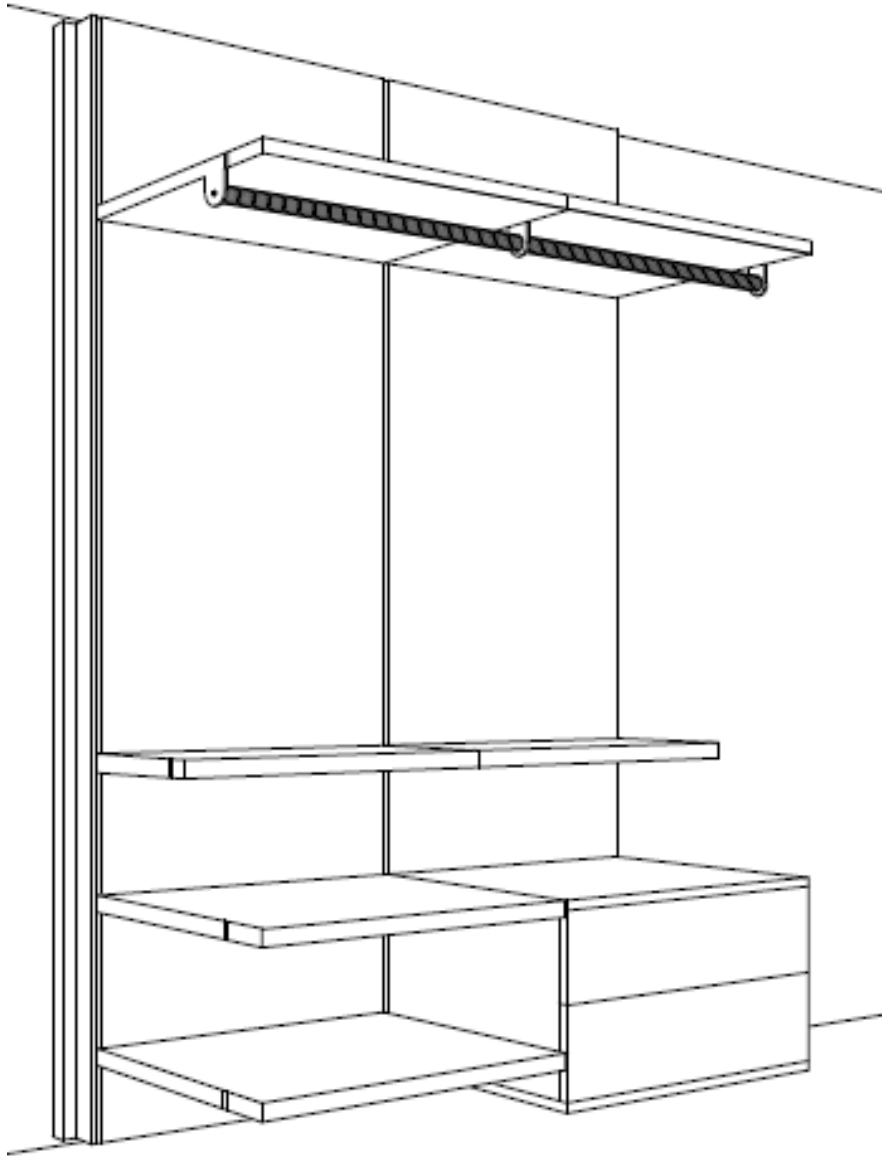
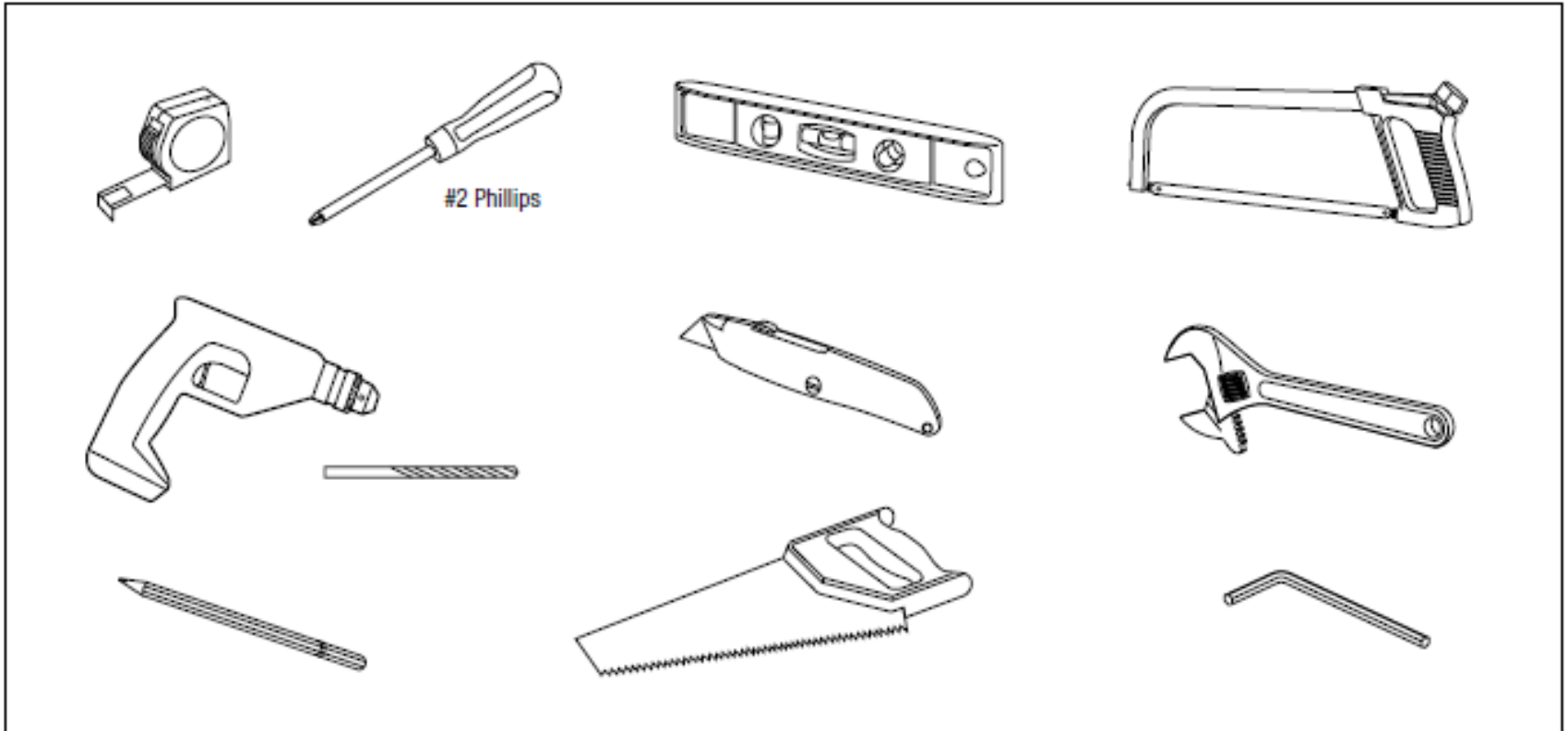


Libero

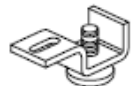
FITTING INSTRUCTIONS



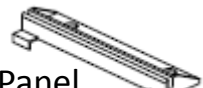
TOOLS REQUIRED



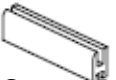
PARTS



Wall Fixing



Panel Fixing Clip



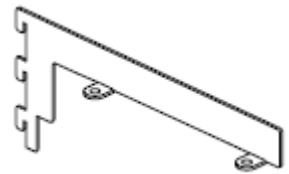
Cover Plate Fixing Clip

Wall Stanchion

End Cover Plate



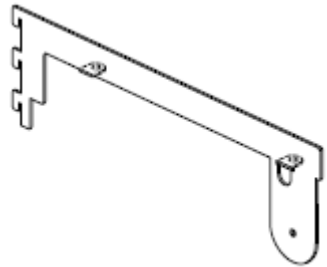
Left Shelf Bracket



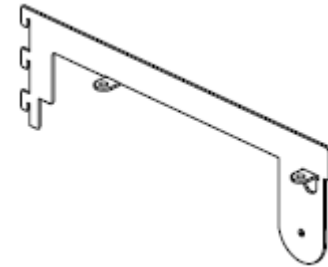
Right Shelf Bracket



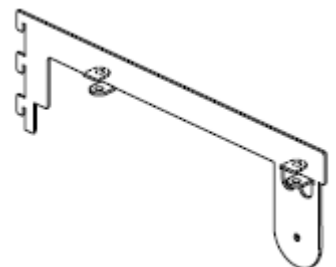
Centre Shelf Bracket



Left Shelf & Hanger Bar Bracket



Right Shelf & Hanger Bar Bracket



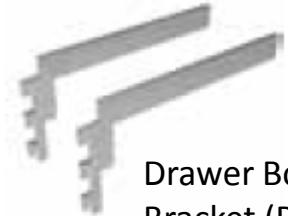
Centre Shelf & Hanger Bar Bracket



Hanger Bar

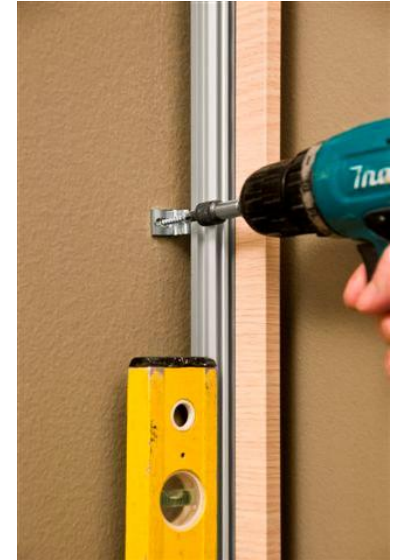
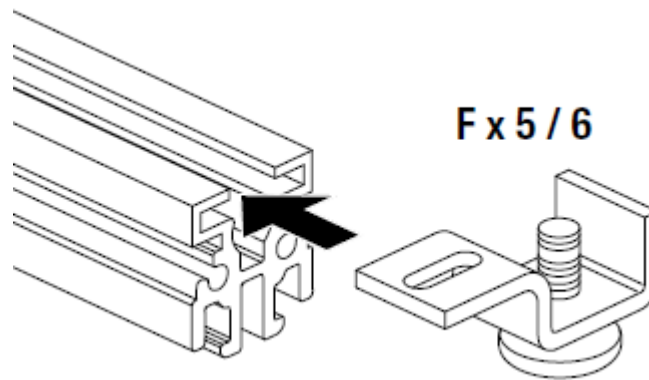
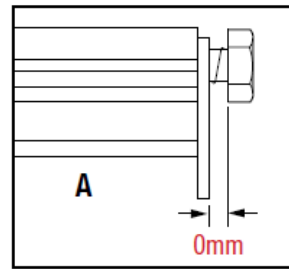
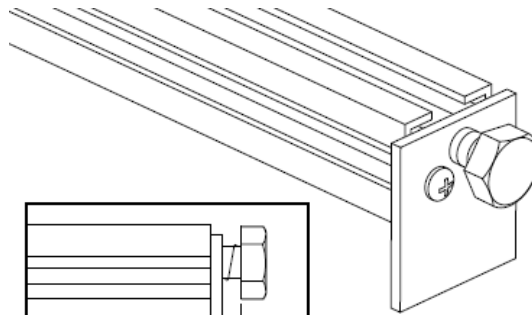
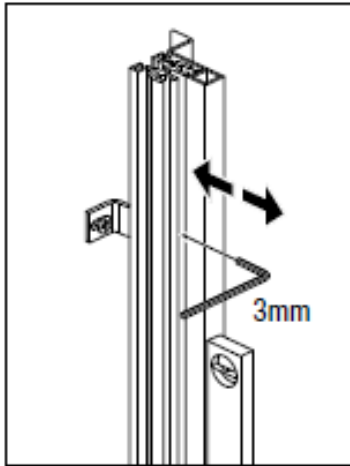
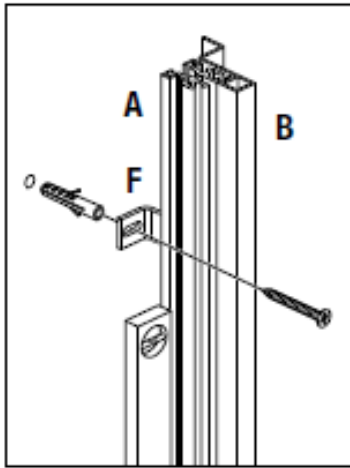
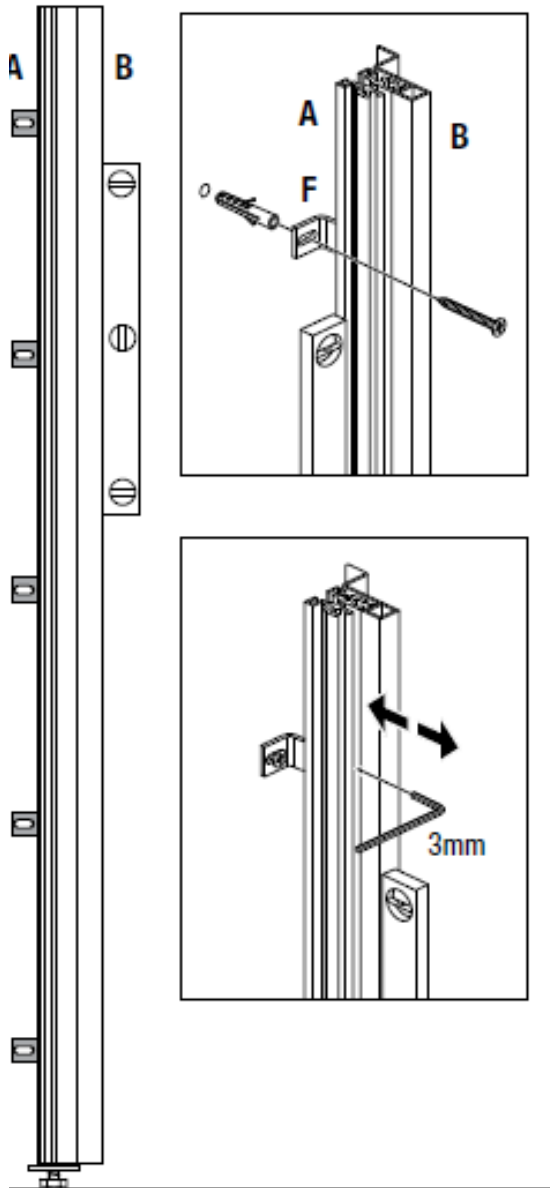


Hanger Bar Bolt

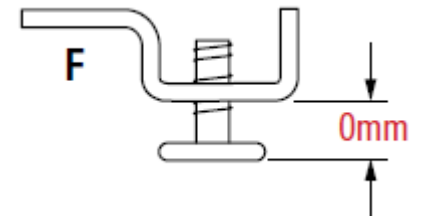


Drawer Box Bracket (Pair)

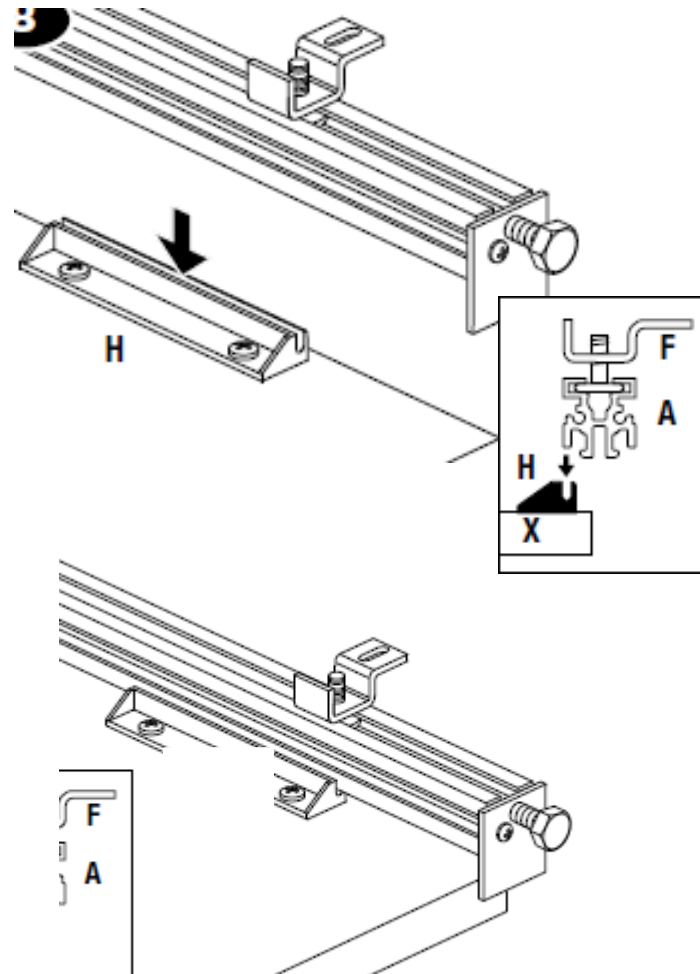
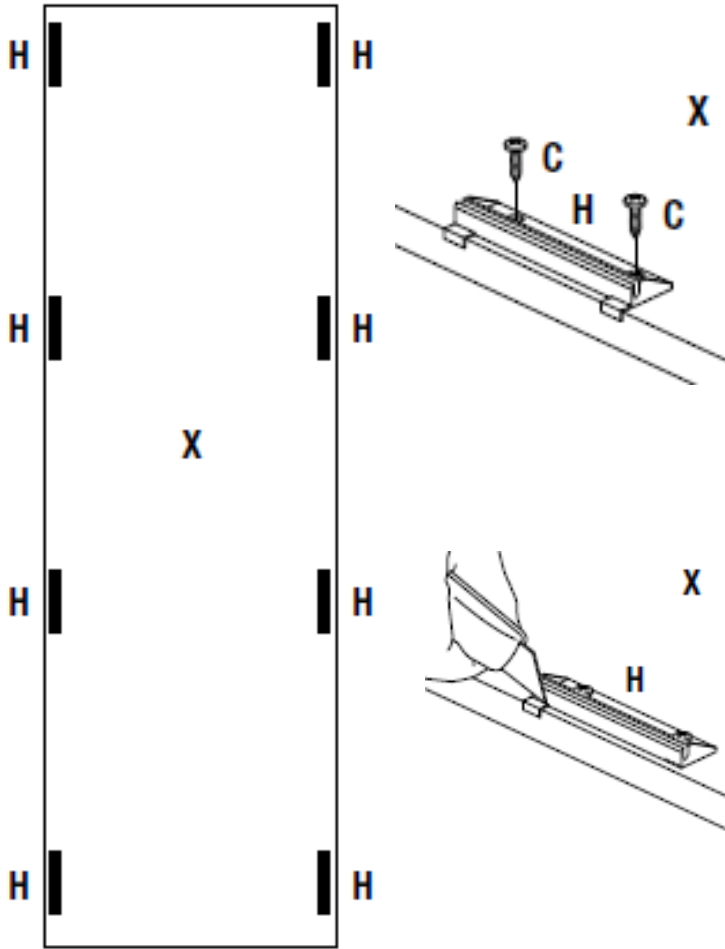
STEP 1: FIT 1ST WALL STANCHION



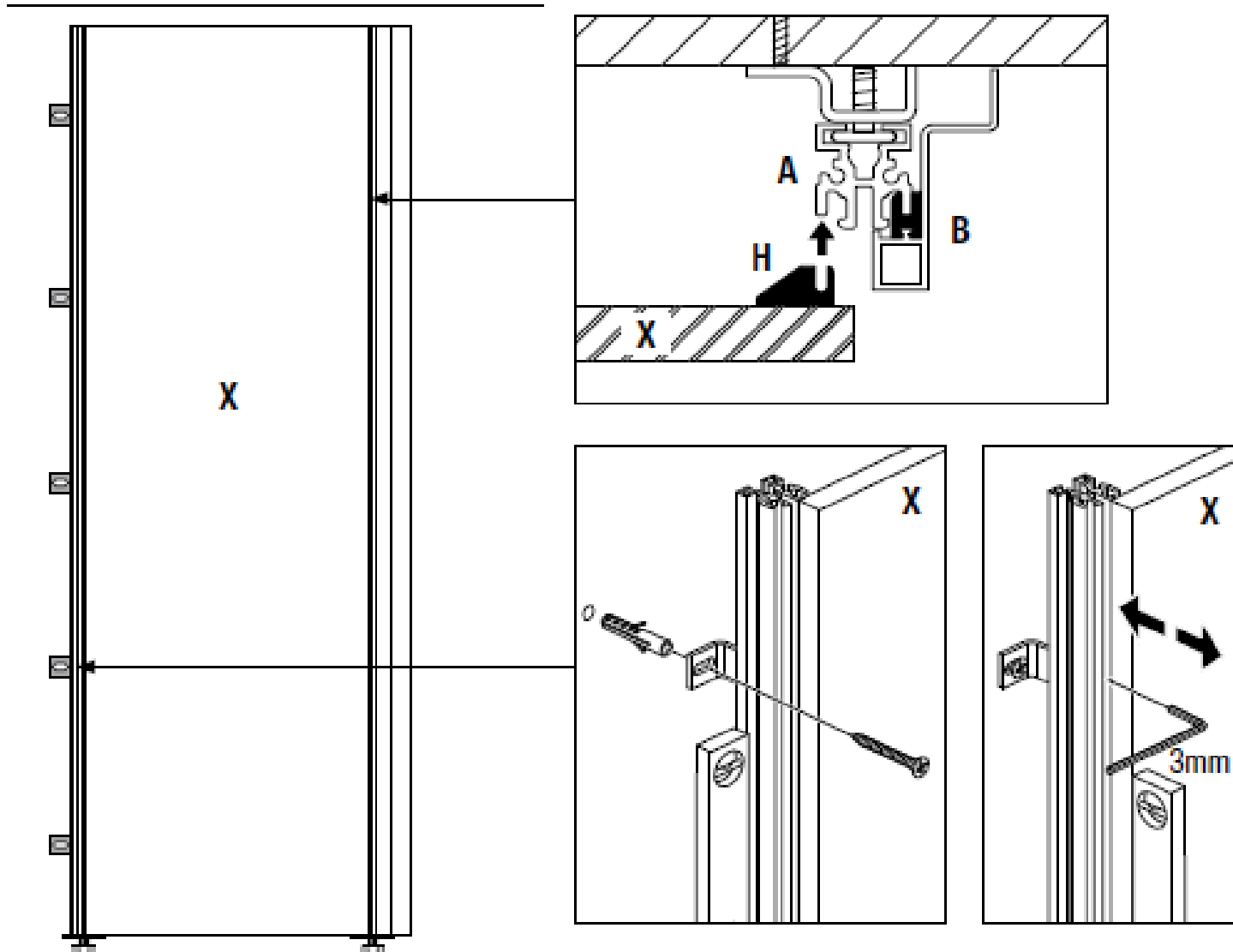
*User tip:
Secure but do not tighten
until levelled up*



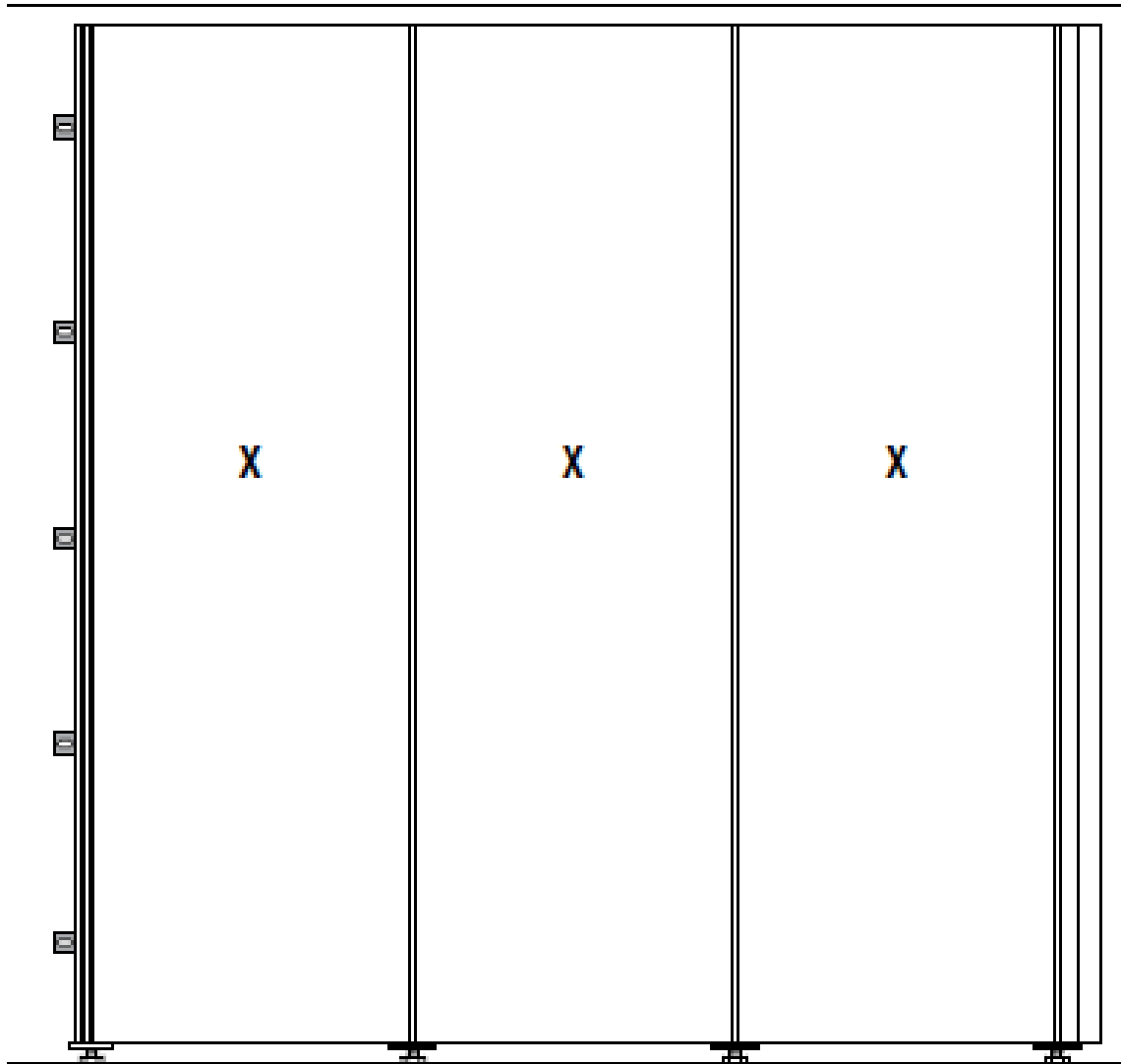
STEP 2: FIT CLIPS AND 2ND WALL STANCHION TO PANEL



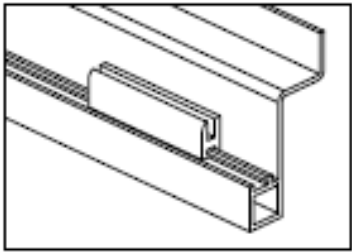
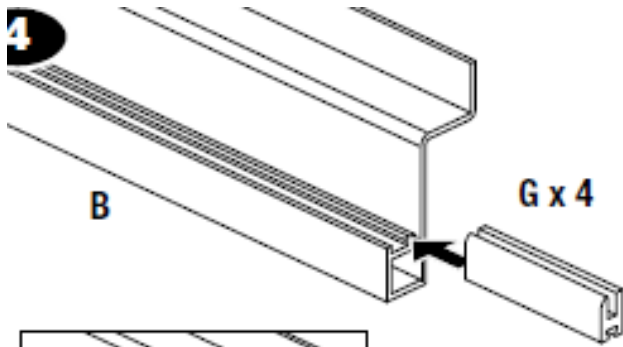
STEP 3: CLIP PANEL INTO FIRST WALL STANCHION & FIX 2ND WALL STANCHION



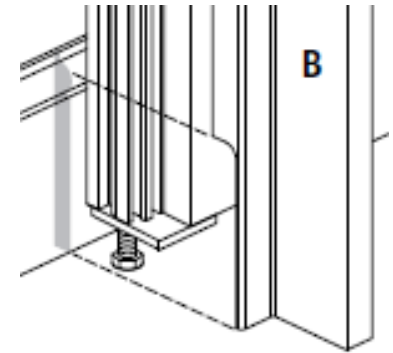
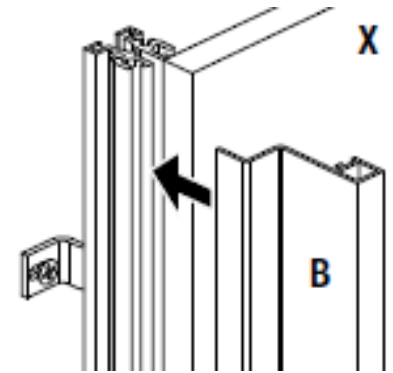
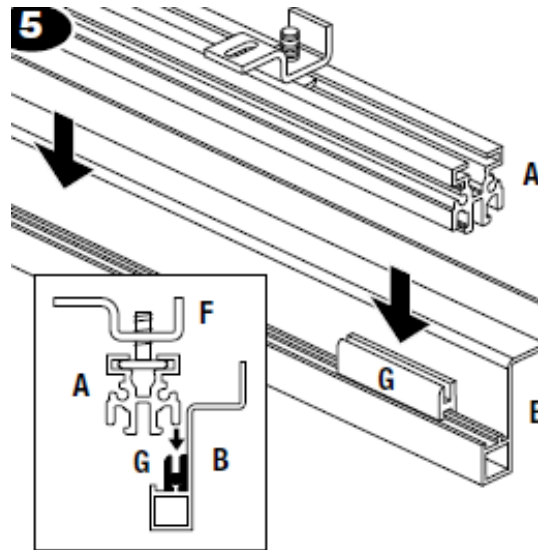
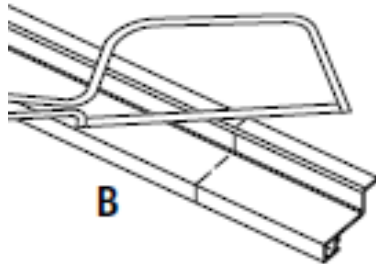
STEP 4: REPEAT THE SAME PROCESS ALONG THE LENGTH REQUIRED



COVER PLATES



User tip:
Clips will slide down so
secure with a small piece
of clear tape that can be
removed afterwards



SHELVES AND HANGER BARS

